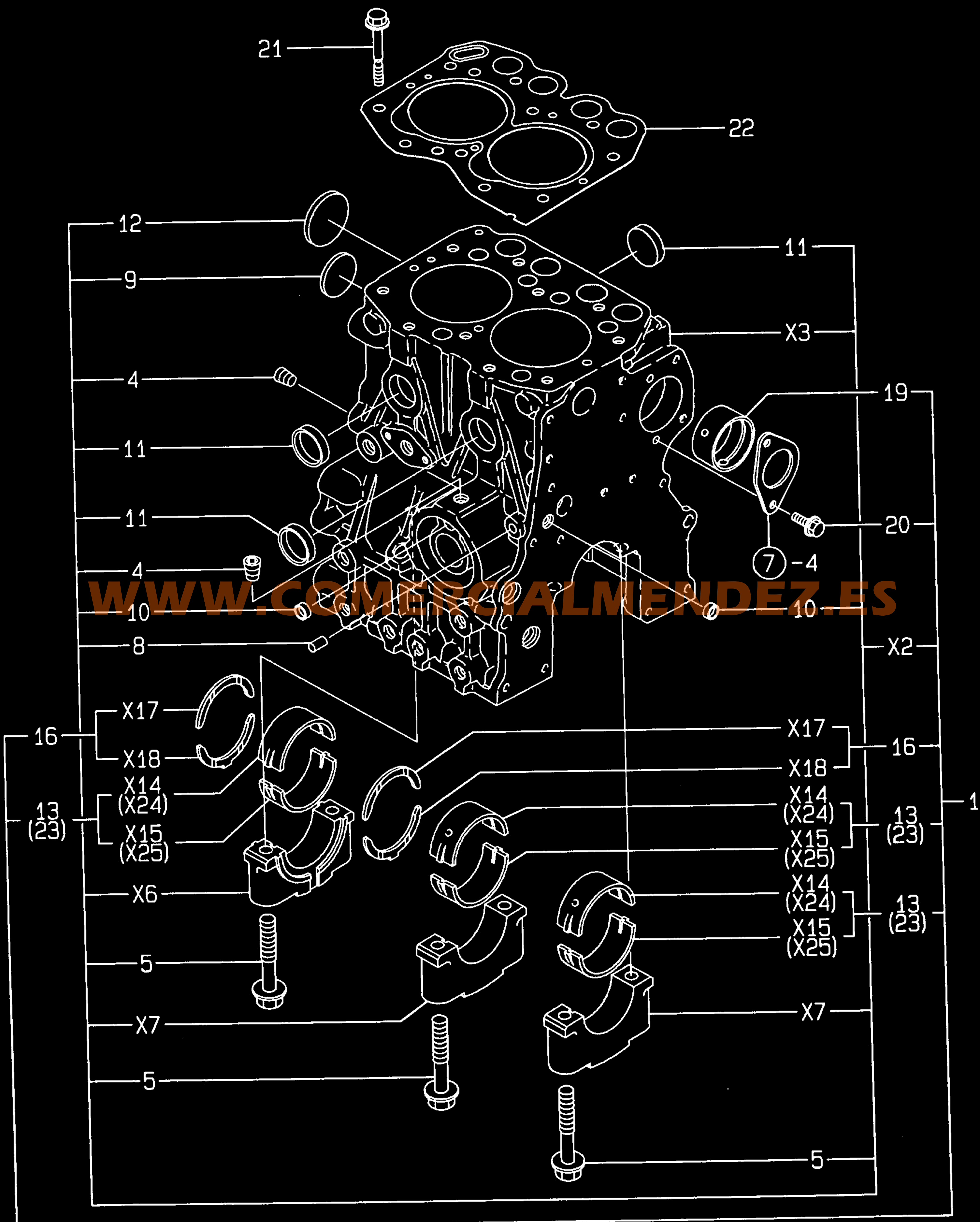
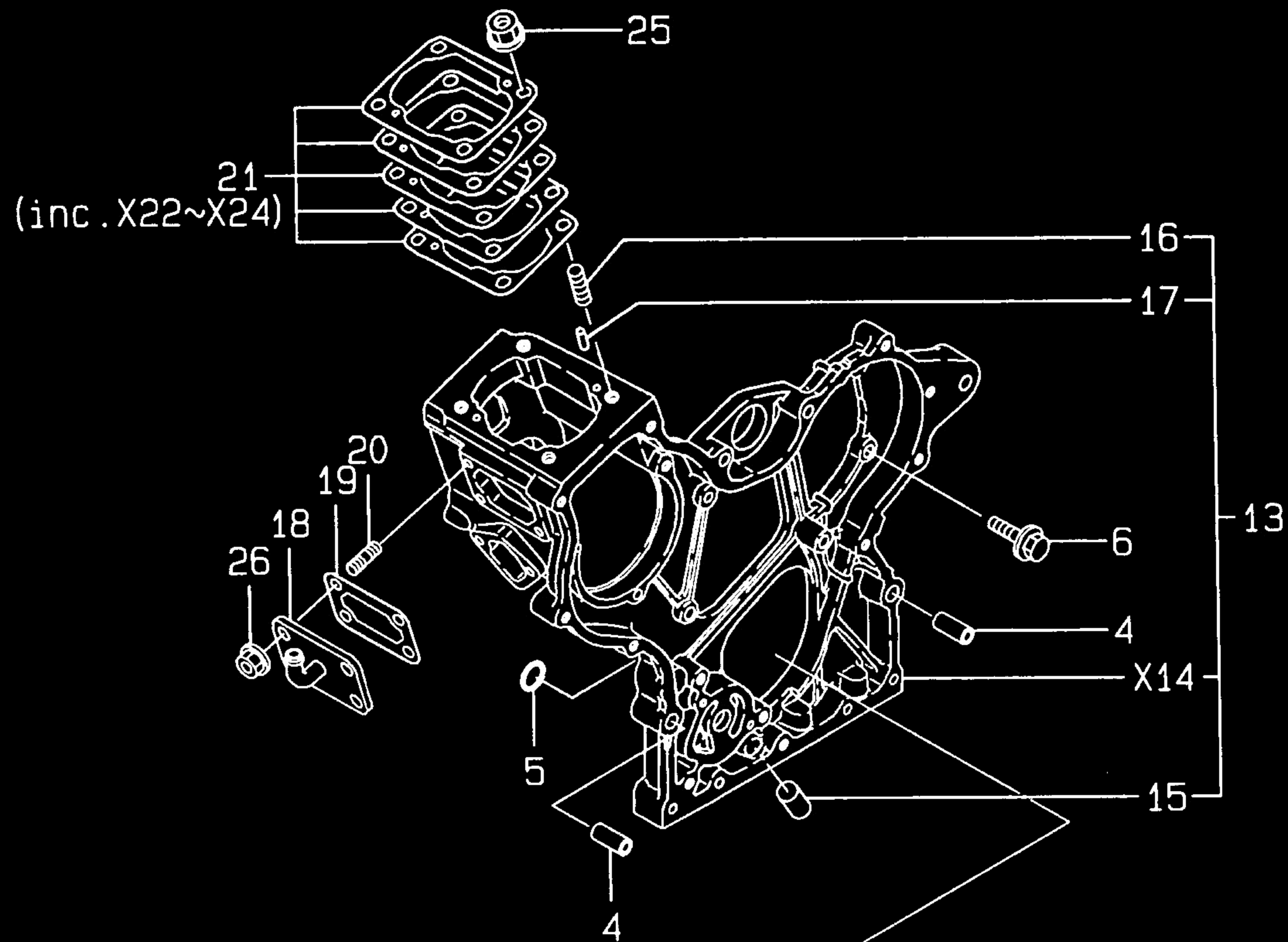


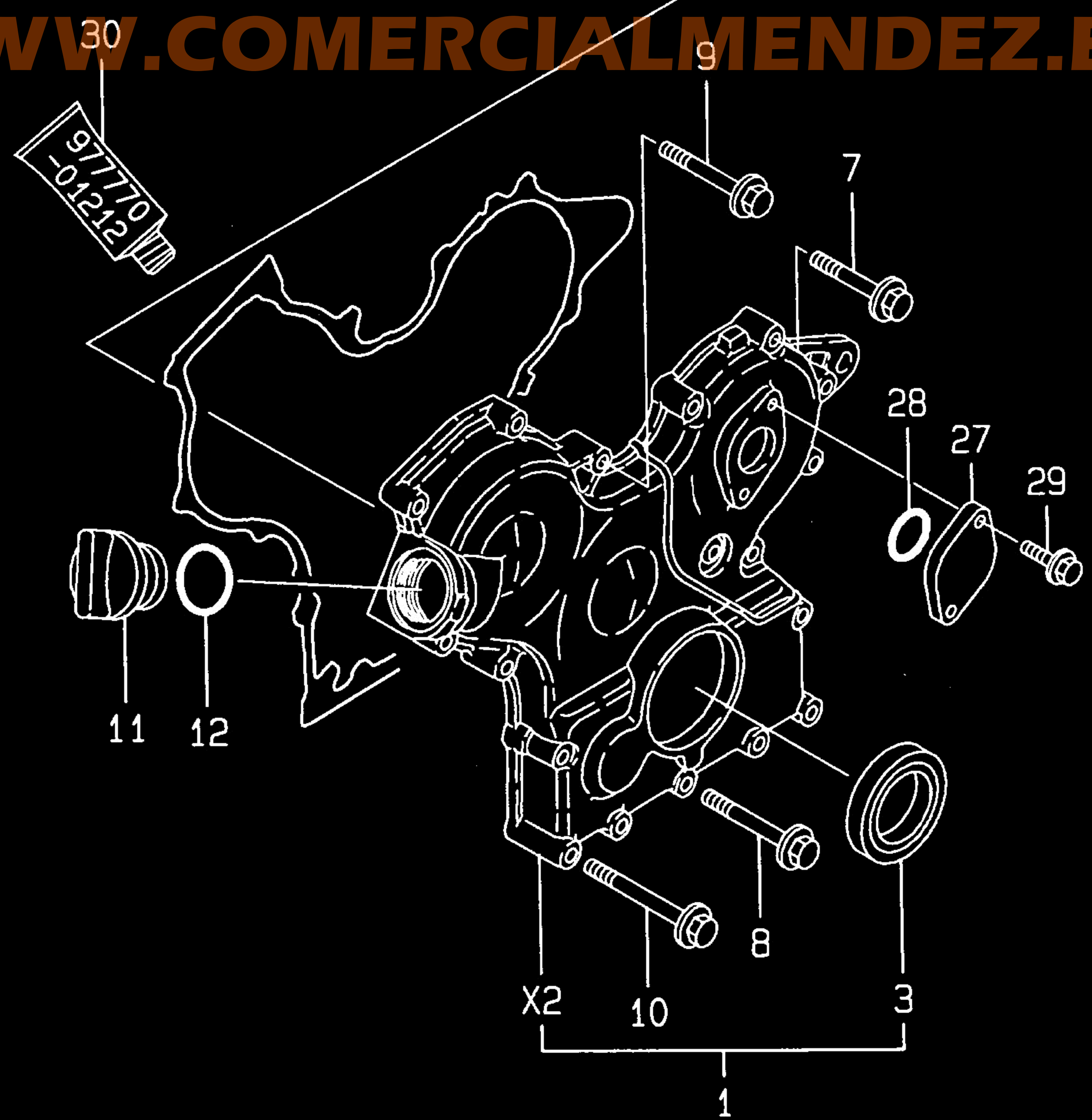
1. CYLINDER BLOCK



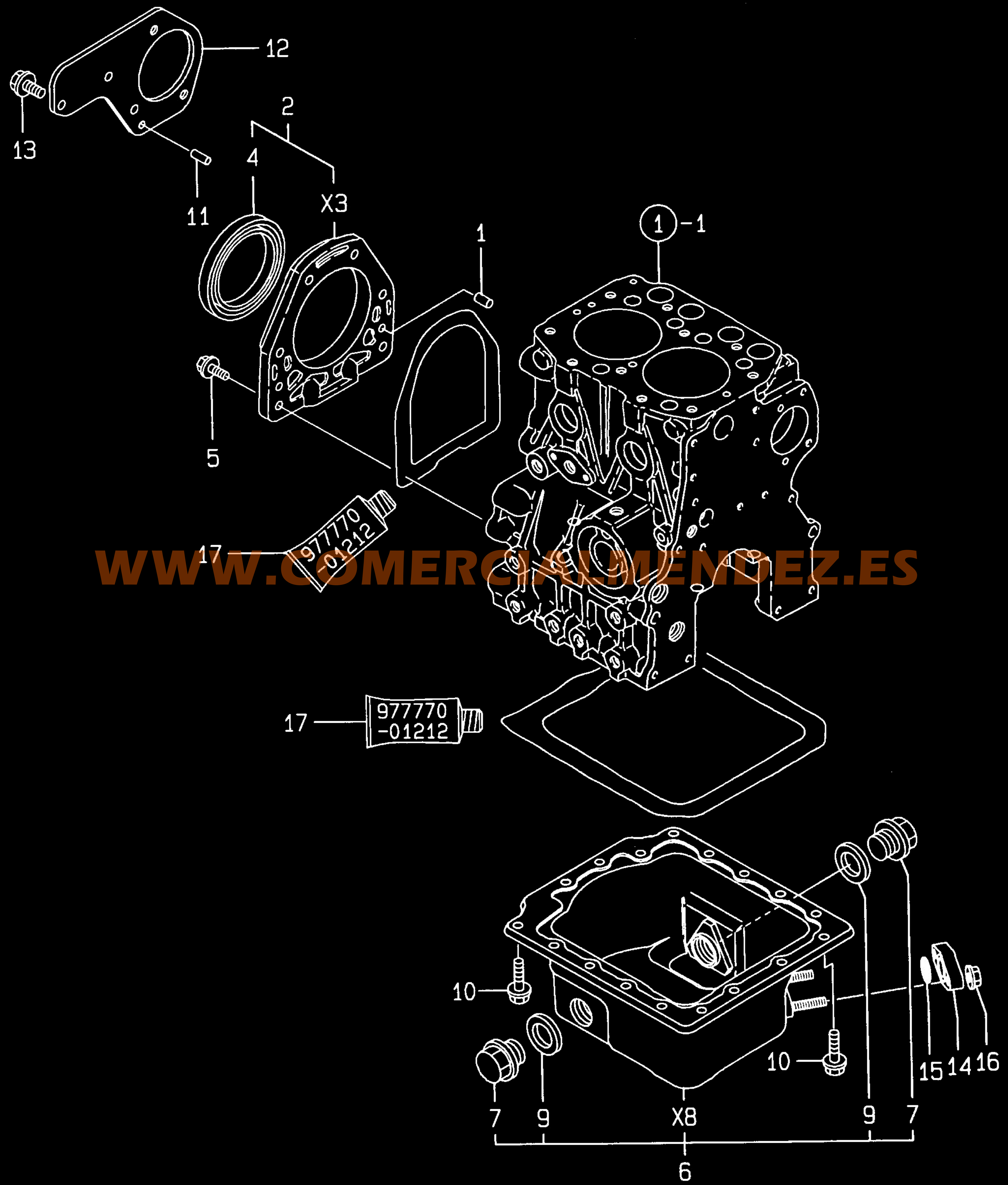
2. GEAR HOUSING



WWW.COMERCIALMENDEZ.ES

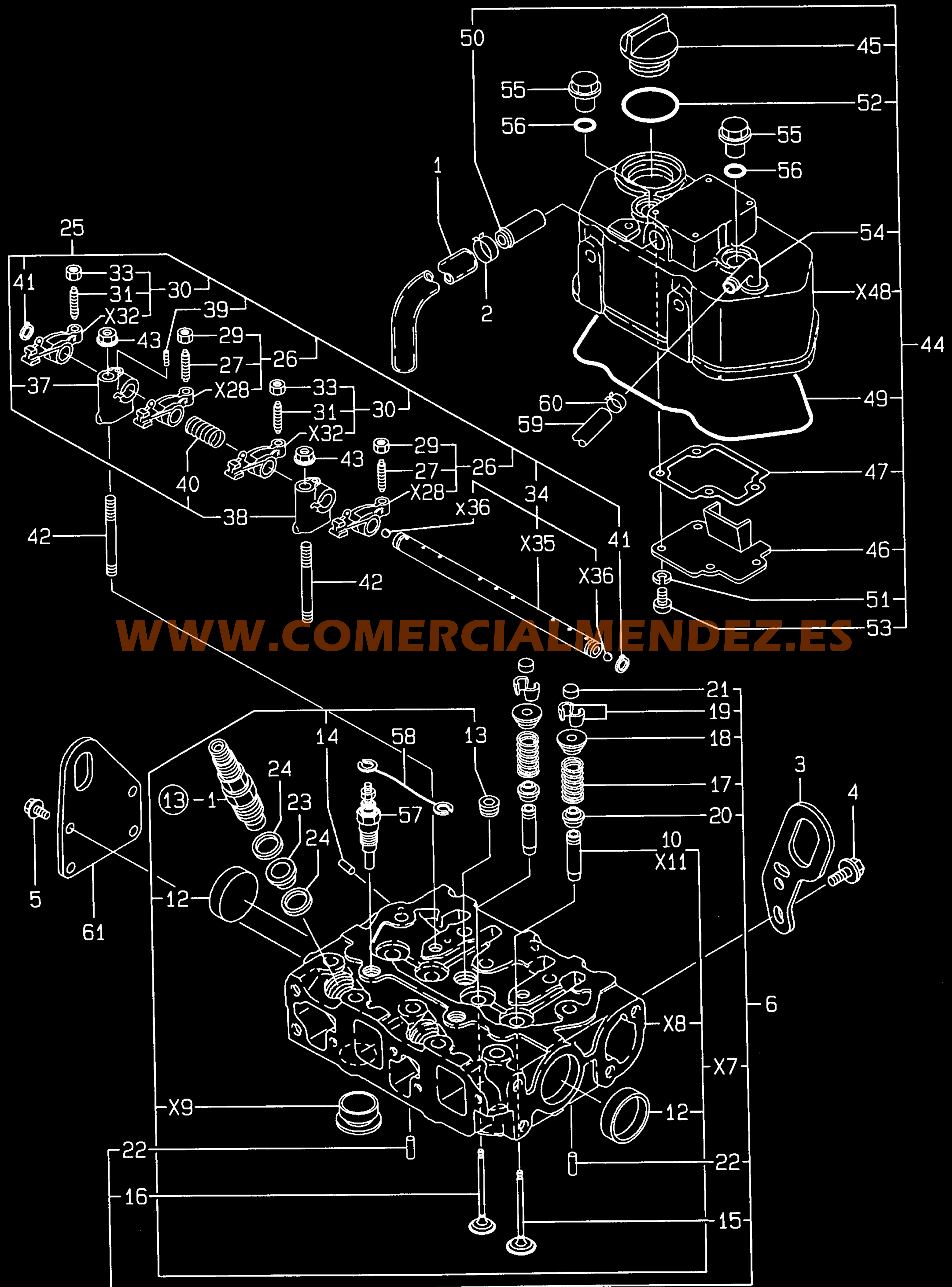


3.0 OIL SUMP



WWW.COMERCIALMUNDEZ.ES

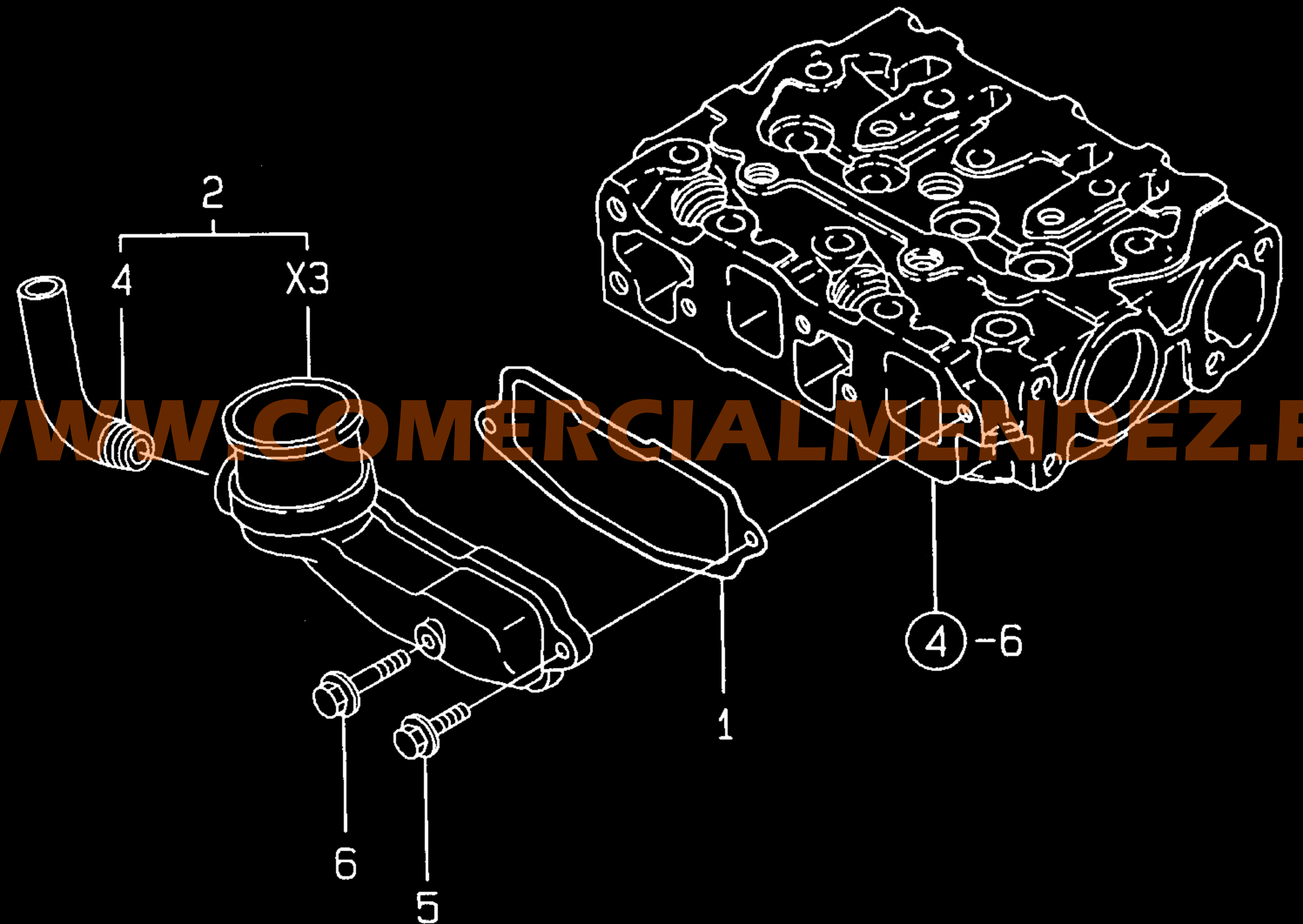
4. CYLINDER HEAD & BONNET



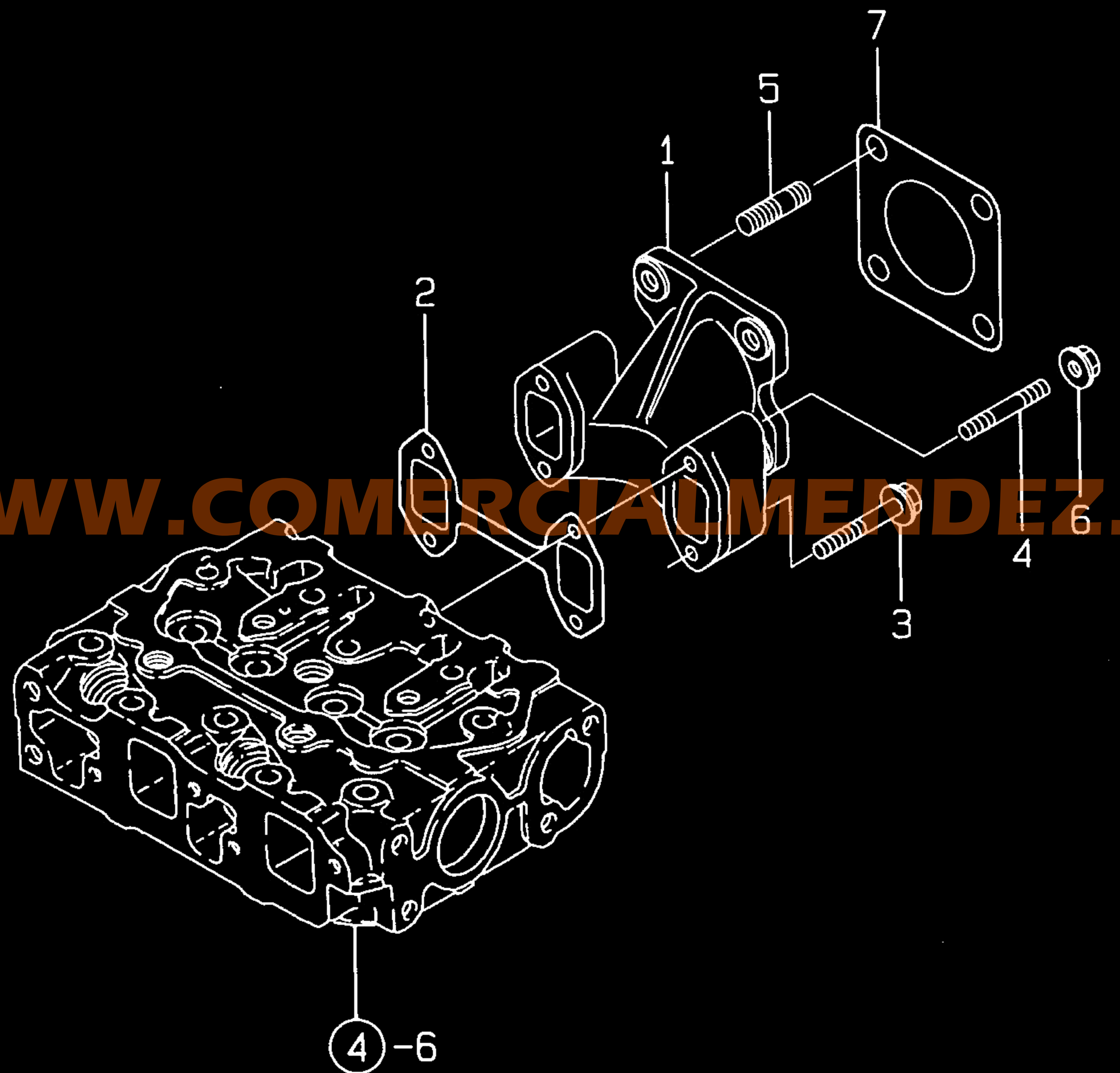
WWW.COMERCIALMENDEZ.ES

x-MARK PARTS: NOT SOLD SEPARATELY.

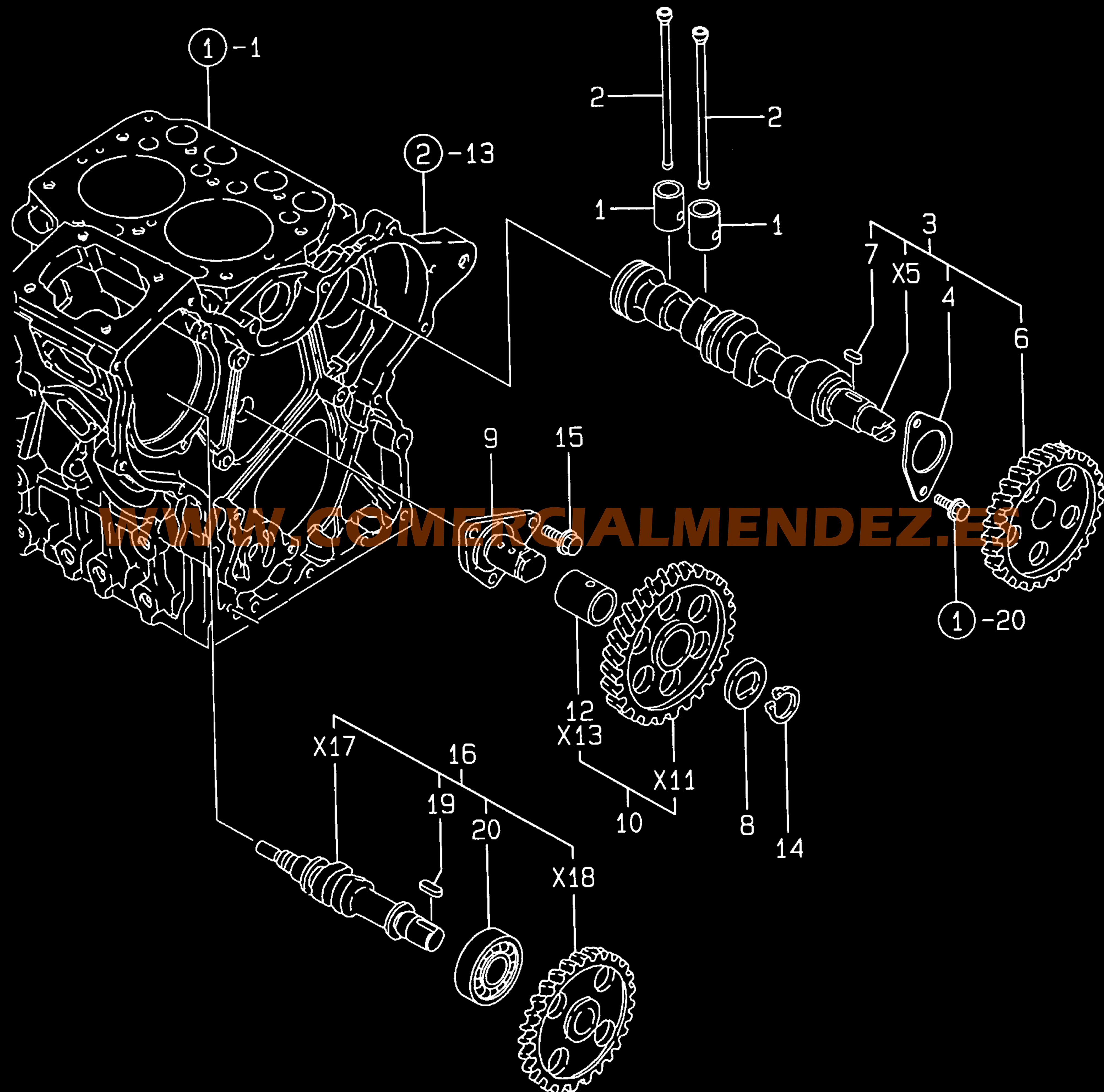
5. SUCTION MANIFOLD



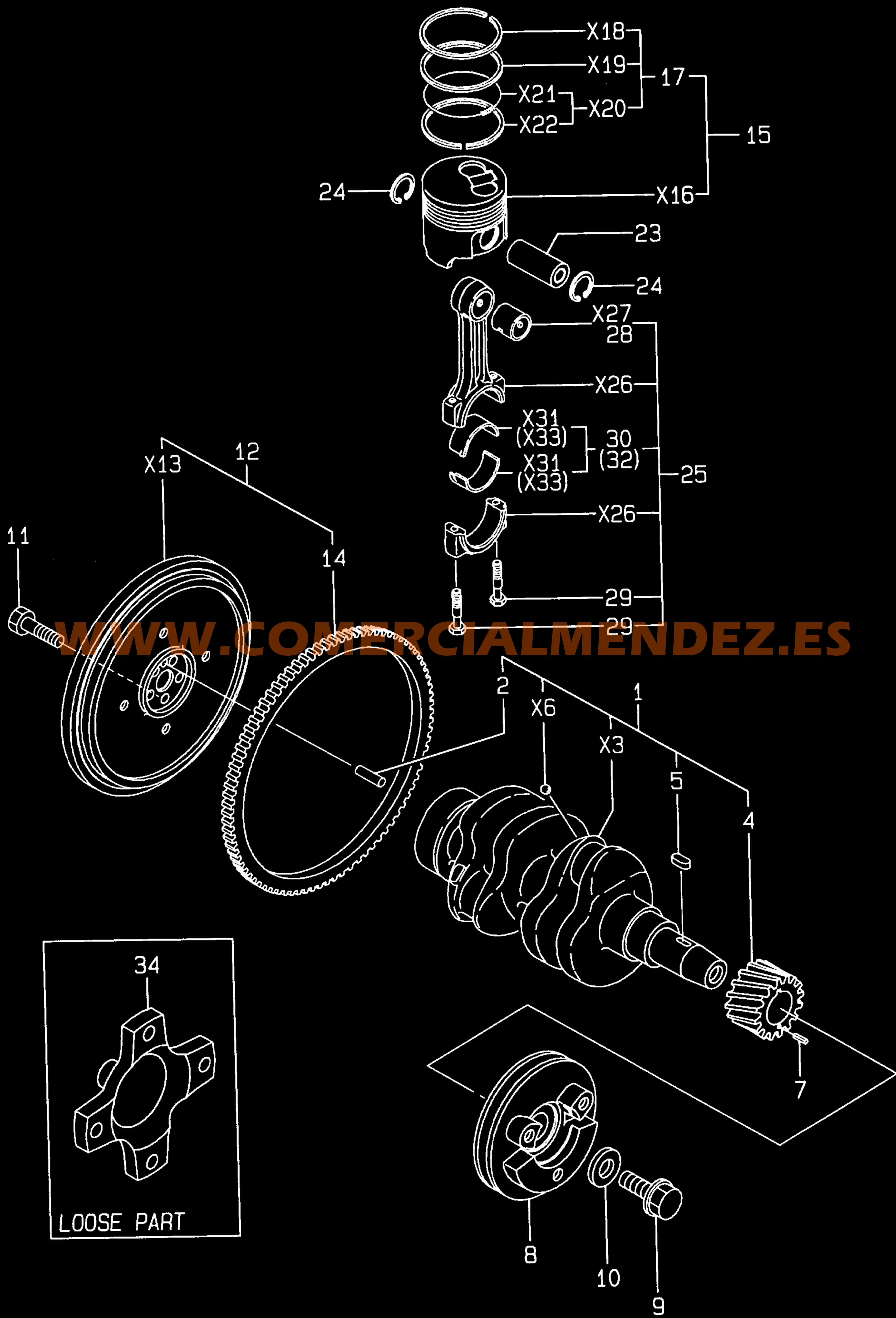
6. EXHAUST MANIFOLD



7. CAMSHAFT & DRIVING GEAR

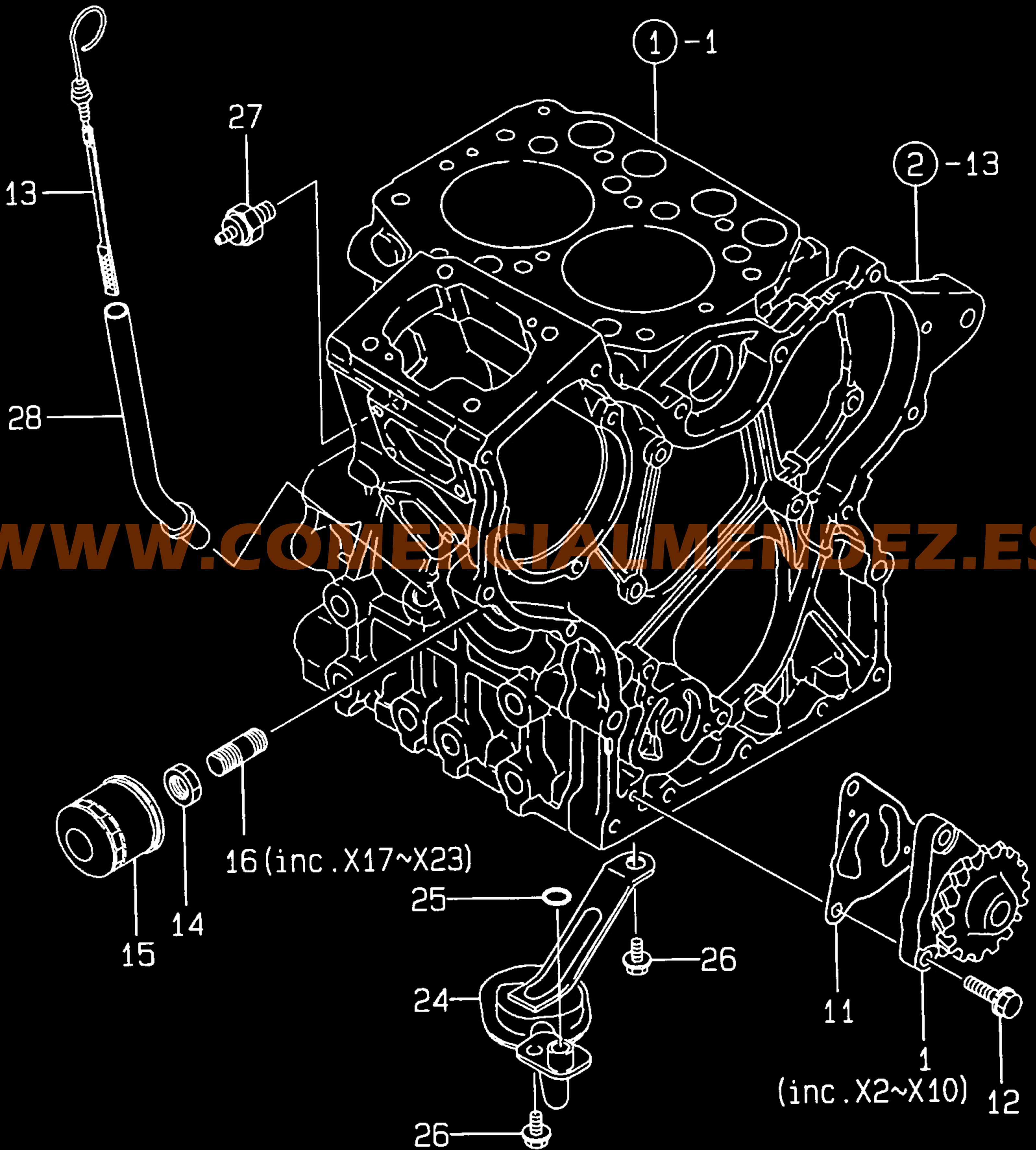


8. CRANKSHAFT & PISTON



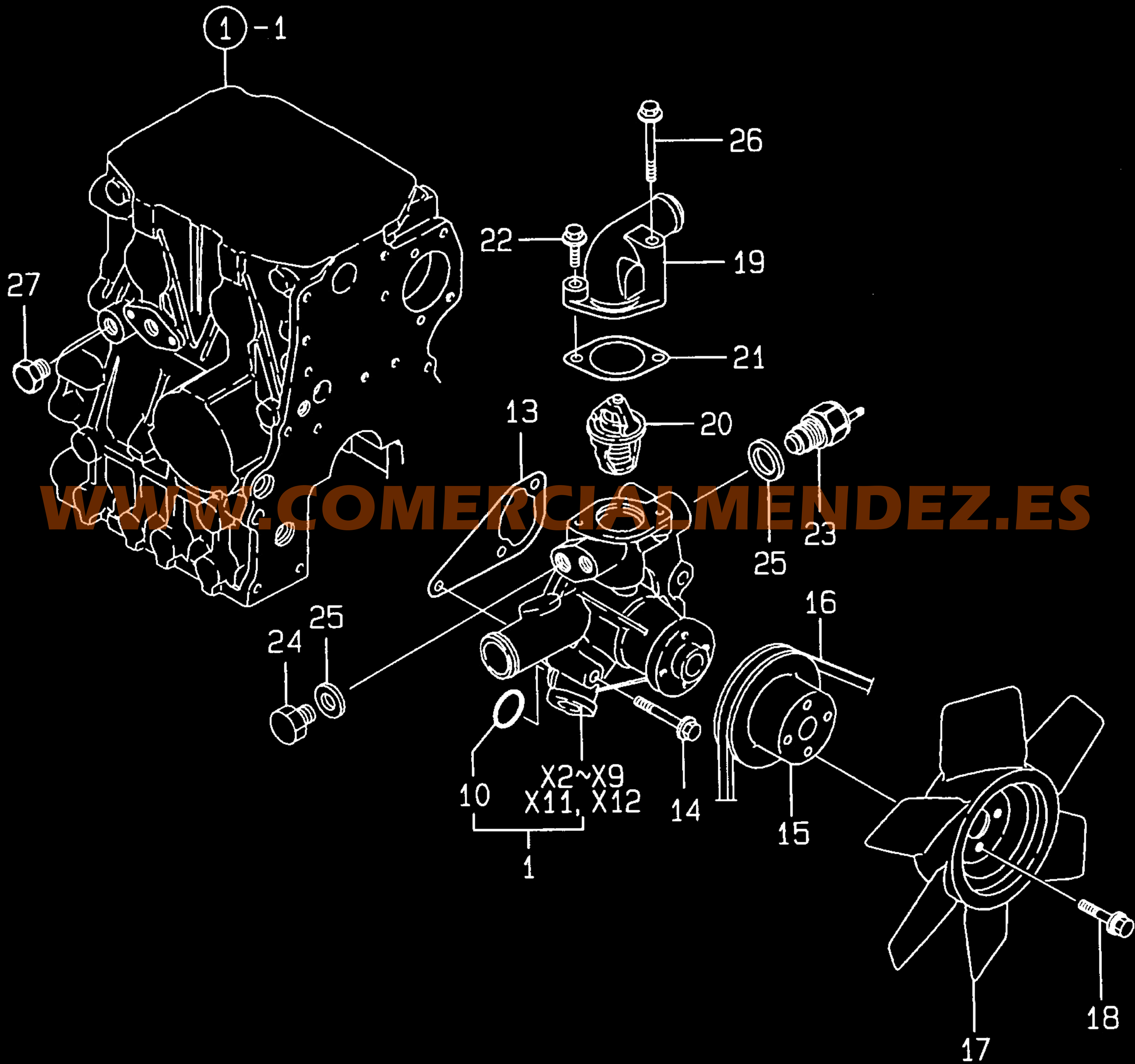
WWW.COMERCIALMENDEZ.ES

9. LUB. OIL SYSTEM

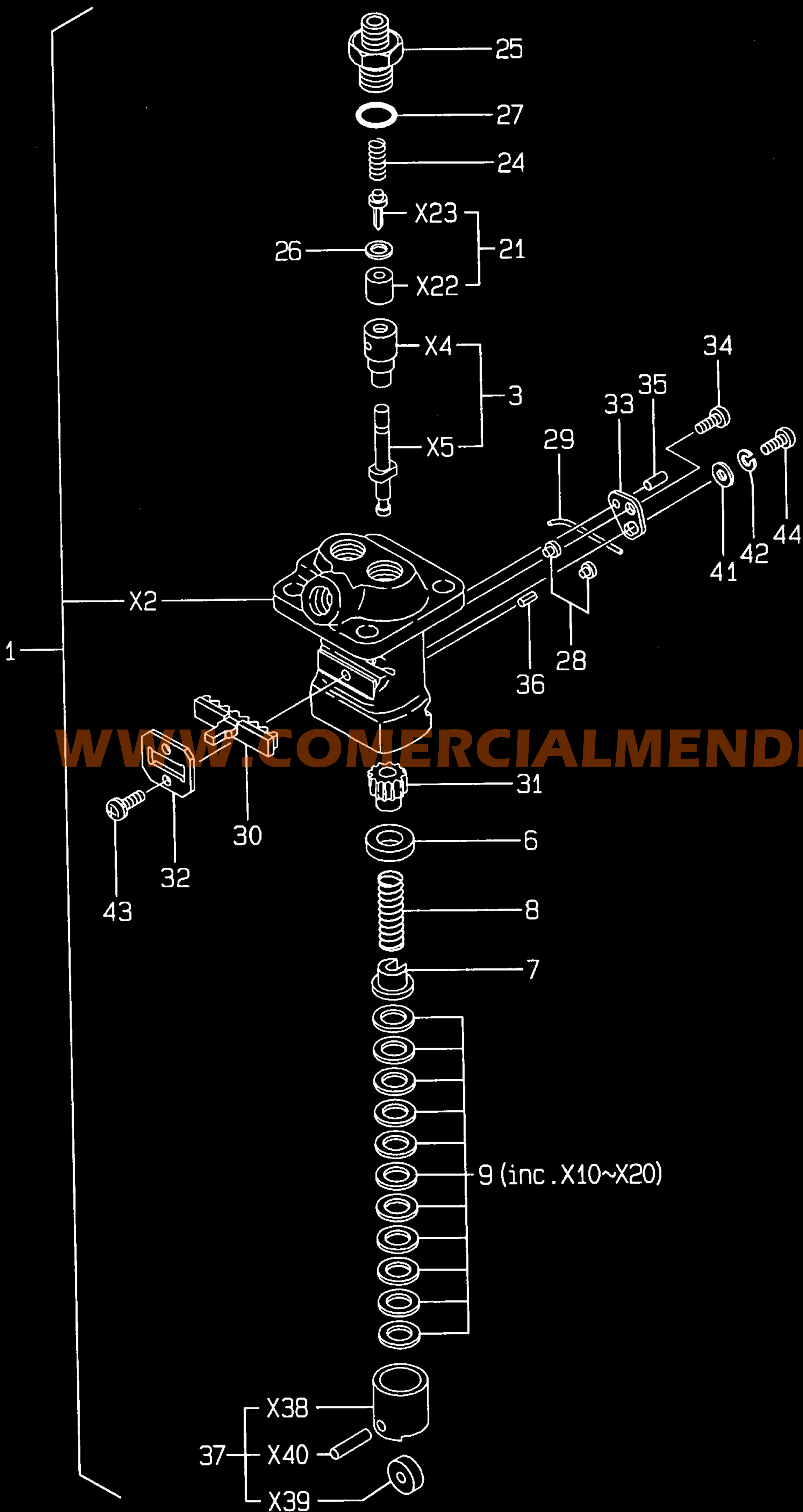


WWW.COMERCIALMENDOZ.ES

10. COOLING WATER SYSTEM



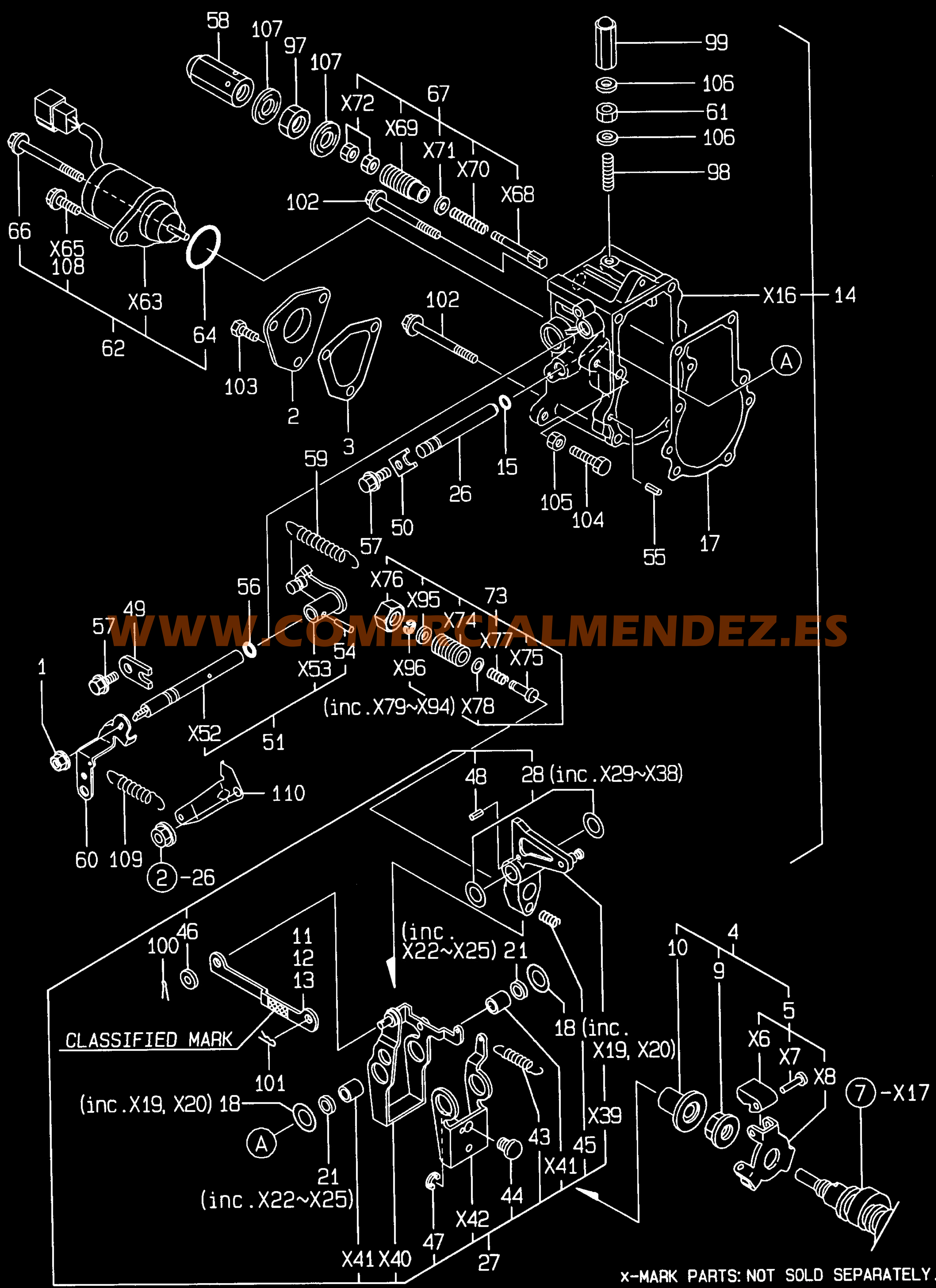
11. FUEL INJECTION PUMP



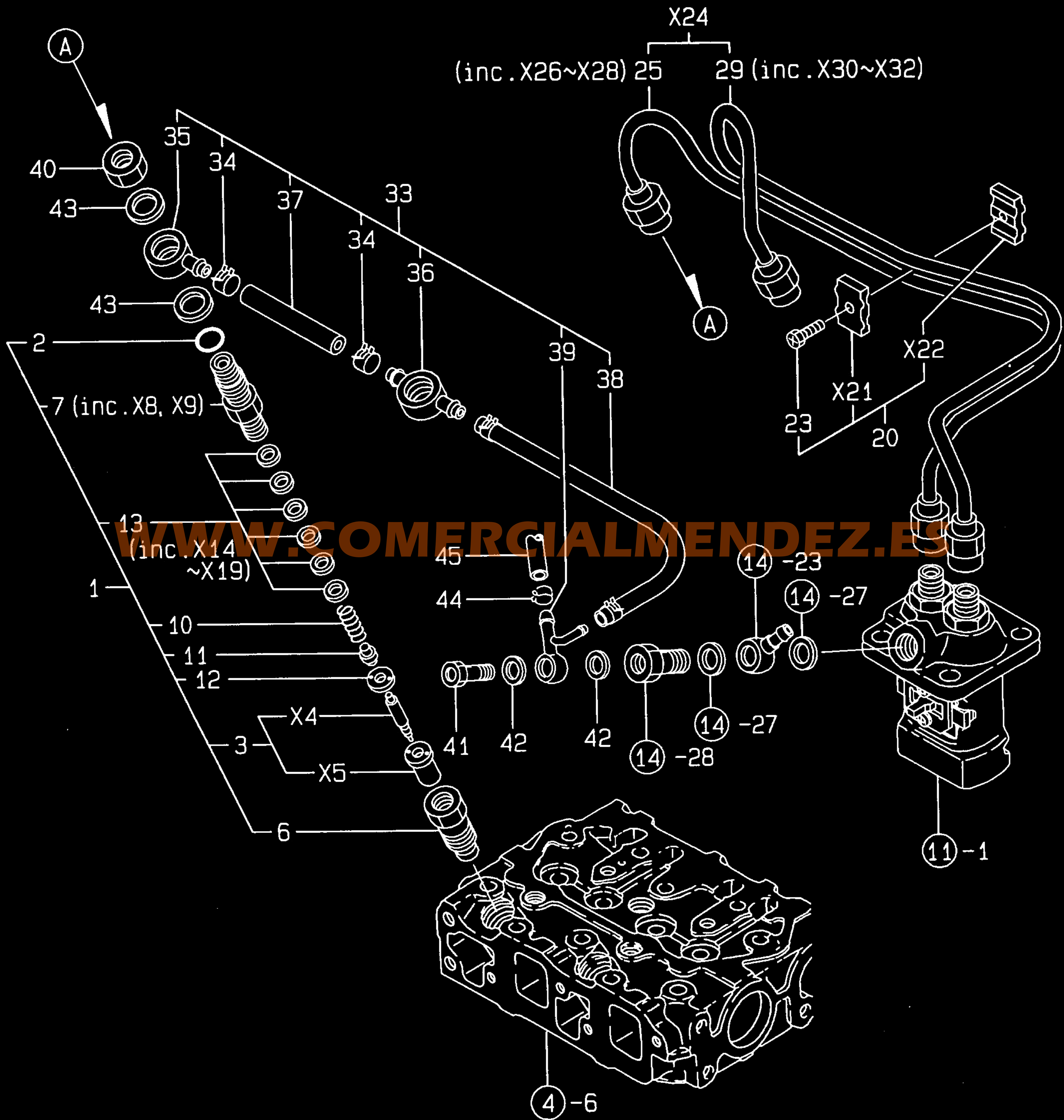
WWW.COMERCIALMENDEZ.ES

X-MARK PARTS: NOT SOLD SEPARATELY.

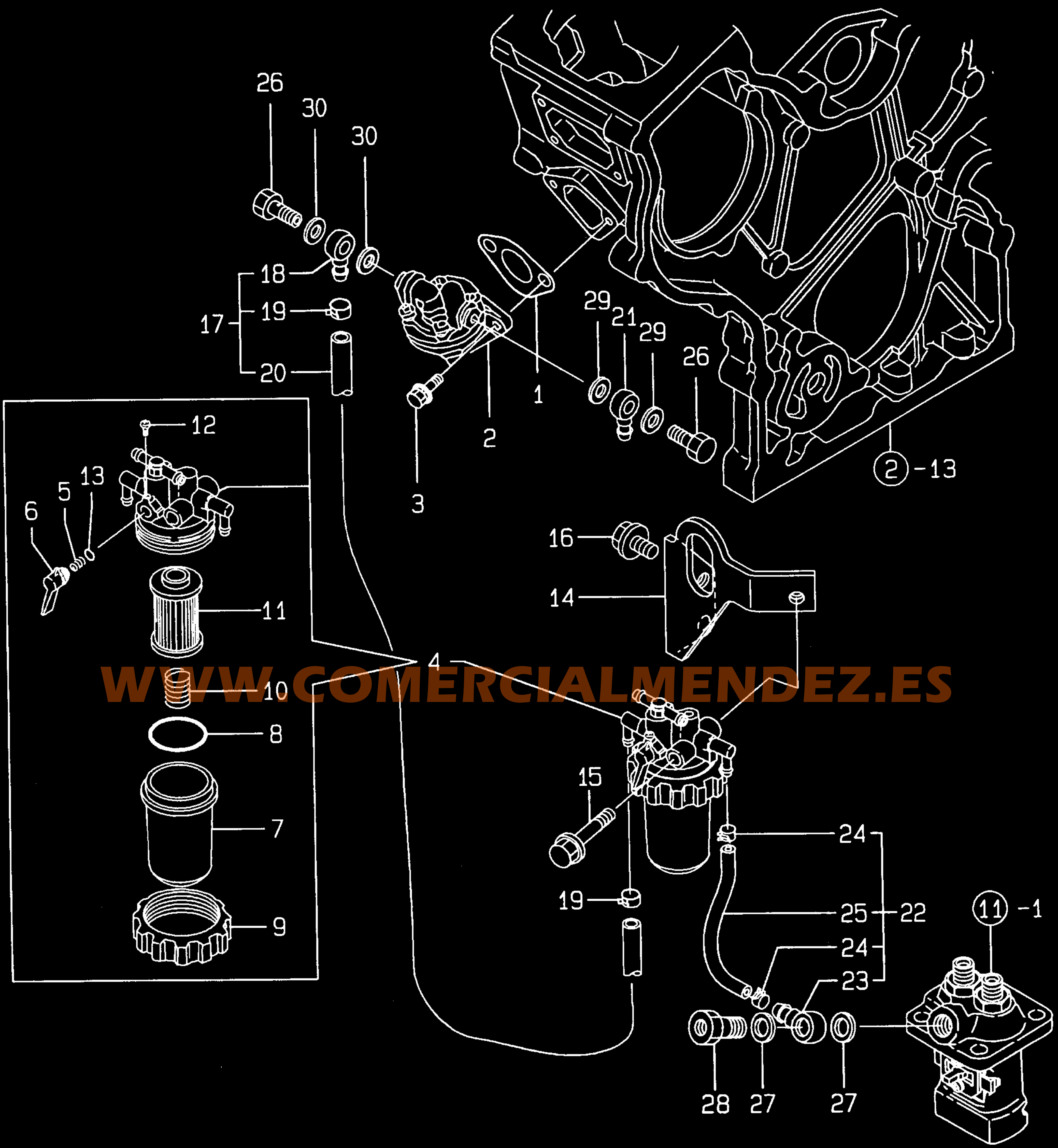
12. GOVERNOR



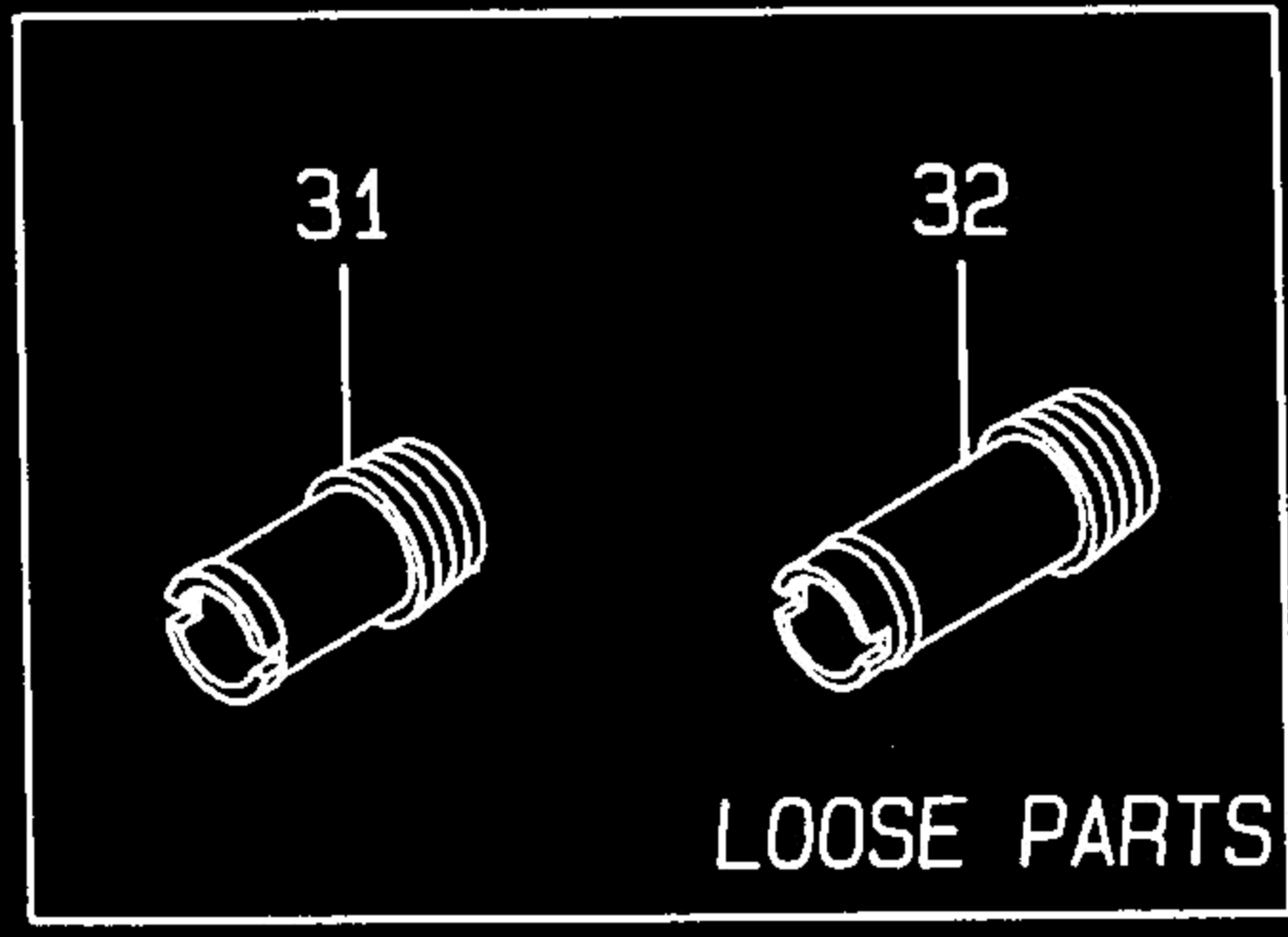
13. FUEL INJECTION VALVE



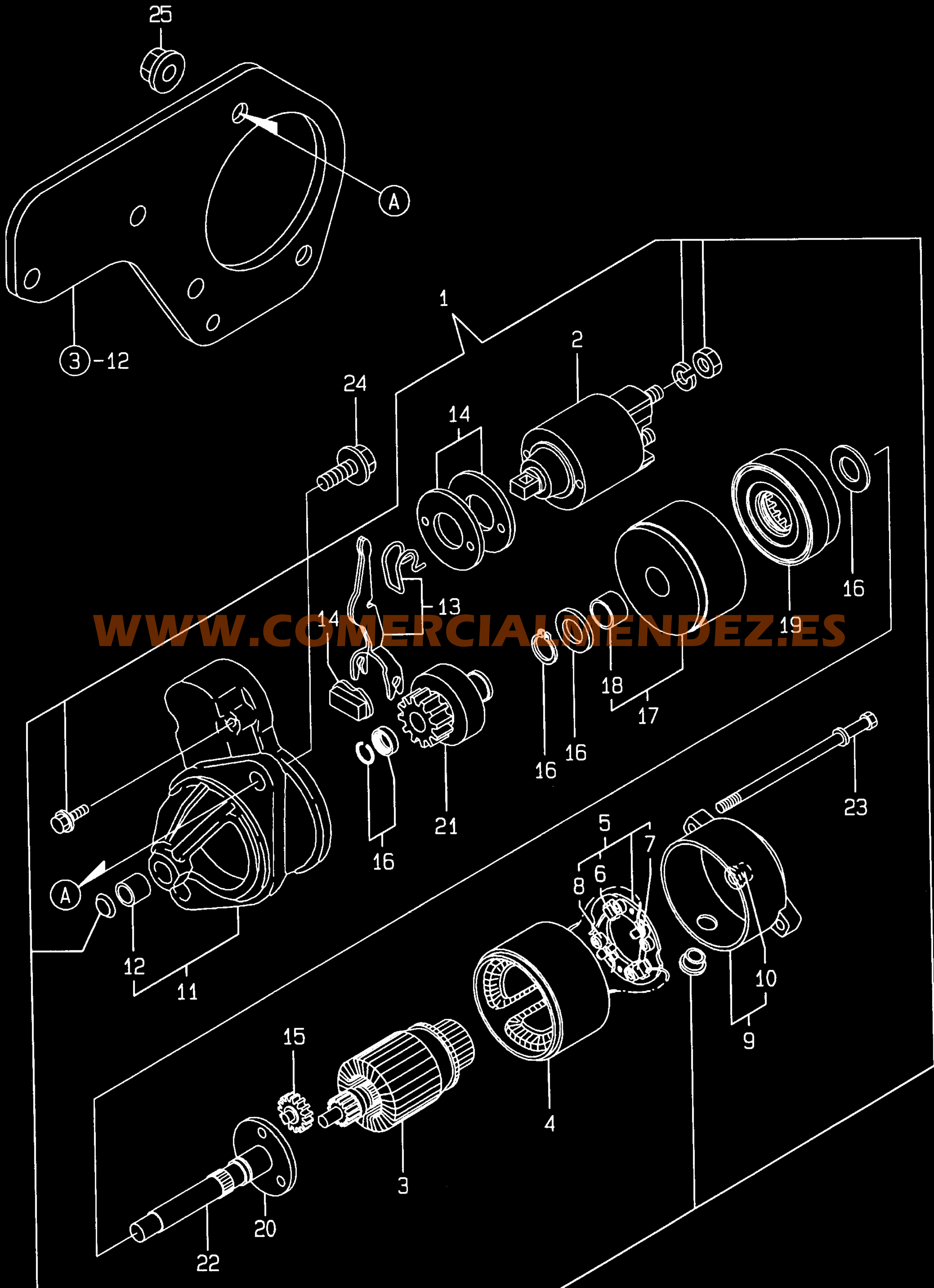
14. FUEL LINE



WWW.COMERCIALMENDEZ.ES



15. STARTING MOTOR

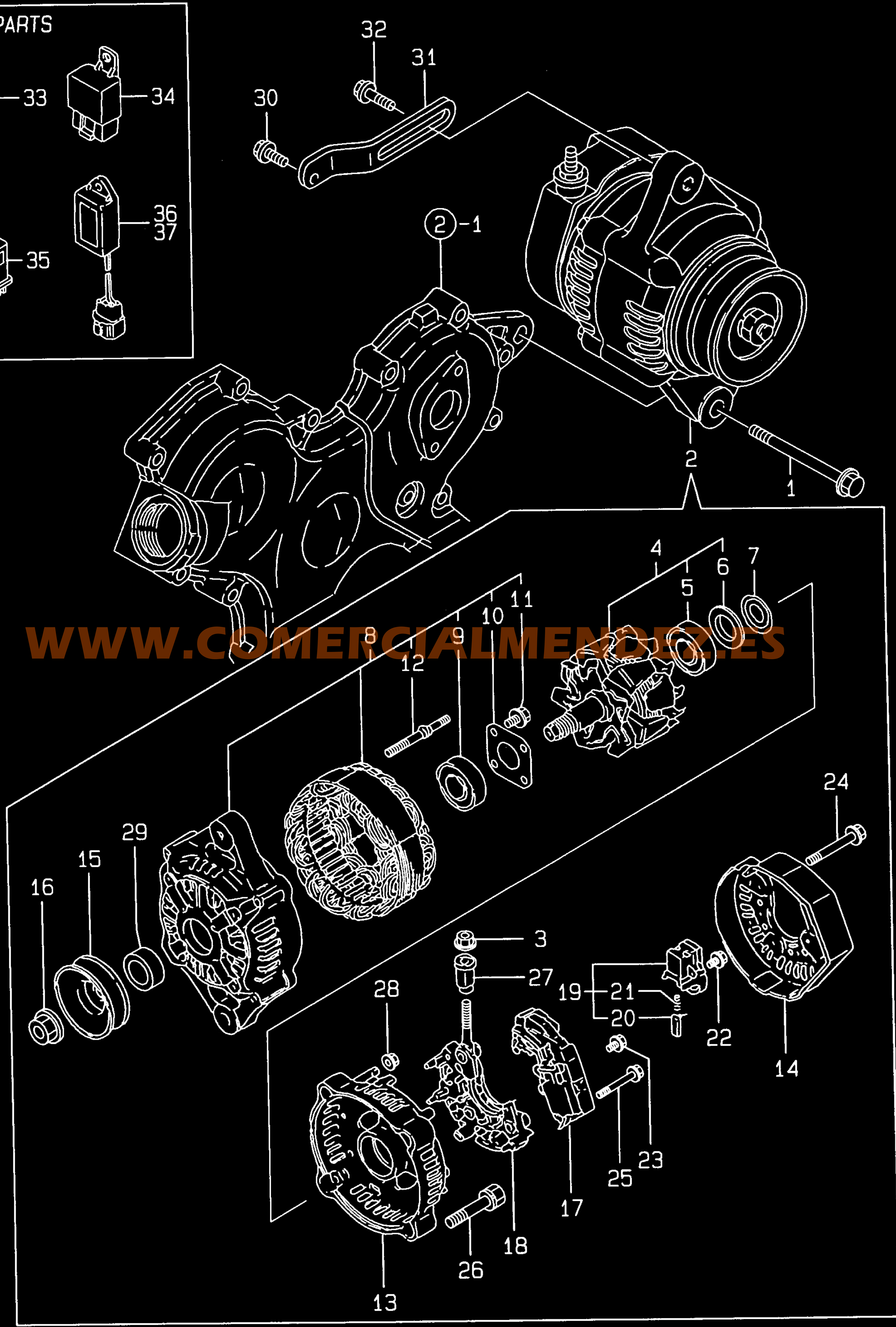


WWW.COMERCIALMUNDEZ.ES

16. GENERATOR

LOOSE PARTS

33 34
35 36
37



WWW.COMERCIALMENDICES